

**CHAPMAN**  
DRIVER SEATING

92000

DRAWN  
BY: Nancy

DATE 17/03/2015

CH. DC

APP. JS

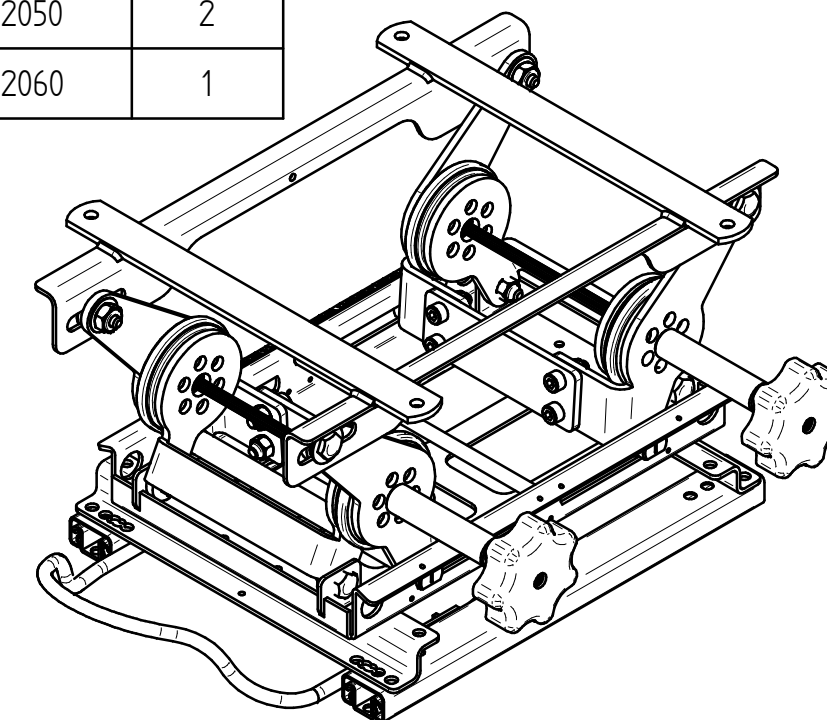
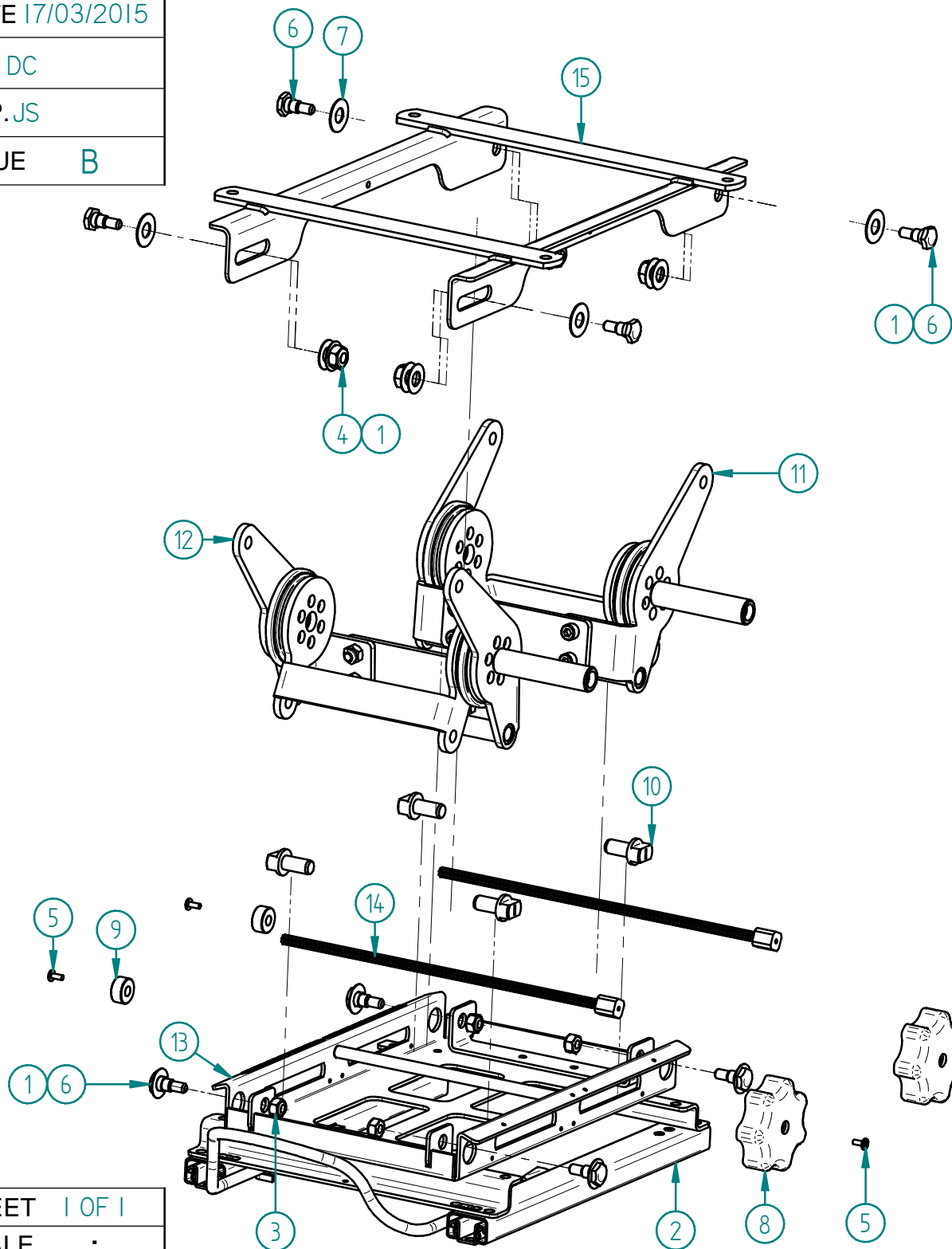
C ISSUE B

DO NOT SCALE

THIRD ANGLE PROJECTION

IF IN DOUBT- ASK

Item Number	Title	Document Number	Quantity
1	SHIM WASHER	29674	12
2	SLIDER ASSY - 160mm	29926	1
3	M8 NYLOC NUT	33356	4
4	M10 NYLOC NUT	33529	4
5	M4 X 10 FLANGED BTN HD SCKT SCREW	51005	4
6	REAR SHOULDERED BOLT - SIDE RISER	72115	8
7	M12 PLAIN WASHER	87889	4
8	KNOB SR2 - MACHINED	92001	2
9	SCREW ON END BOSS - THIN	92002	2
10	SLIDING STUD - SR2	92003	4
11	SCISSOR + TUBE WELD ASSY (FRONT)	92010	1
12	SCISSOR + TUBE WELD ASSY (FRONT)	92020	1
13	SUPPORT FRAME ASSY - SR2	92040	1
14	EIGHT ADJUSTERBAR WELDED ASSY - SR2	92050	2
15	TOP FRAME ASSY - SR2	92060	1



SHEET 1 OF 1

SCALE :

LIMITS NOT STATED  
ALL DIMS IN MM  
0 PLACES +/- 0.4  
1 PLACE +/- 0.2  
2 PLACES +/- 0.1  
ANGLES +/- 1/2°  
HOLE SIZES + 0.1 - 0

ISS	DATE	CHECKED	DESCRIPTION
B	25/03/14	JS	UPDATED PARTS LIST
A	14/11/13		ISSUED

MAT,L. & SPEC.

FINISH.

CHAPMAN DRIVER SEATING, MILTON KEYNES, ENGLAND.  
OWNS THE COPYRIGHT OF THIS DRAWING WHICH IS  
SUPPLIED IN CONFIDENCE AND WHICH MUST NOT BE  
USED FOR ANY PURPOSE OTHER THAN THAT FOR  
WHICH IT IS SUPPLIED AND MUST NOT BE  
REPRODUCED WITHOUT  
PERMISSION IN WRITING FROM THE OWNER.

**Chapman Driver Seating**

109-138 Northwood Street  
Birmingham  
B3 1SZ

Tel: +44 845 838 2305  
Fax: +44 845 838 2909

TITLE  
**SR2 STANDARD ASSY**

DRG.No. 92000

FILE NAME

92000 - Side Riser 2 (SR2) with All in one scissor assy.dft

A3